

GFORCE **POWER-TINY**

Portable power.



The **Power-Tiny** is the new battery-operated fog generator from GTI. It completes the range of the off-mains operated machines (Tiny-Fogger and Tiny Compact) perfectly and fills the gap between high flexibility and powerful fog output.

In the world of theatre, film, TV- and photographers, musicals and special effects, air flow and air tightness testing – everywhere where fog is needed quickly and efficiently, the **Power-Tiny** is the perfect alternative to normal fog generators.

Features

- Minimal heat-up time

Due to the heat-up time of only one second the **Power-Tiny** is ready-to-use on site.

- Light weight and small dimensions

The light weight (5.6 kg) and the small dimensions (L=22.3, W=10, H=21 cm) makes the machine useable for mobile uses.

- Adjustable output

The output of the **Power-Tiny** can be adjusted with an adjusting knob. The release button is built into the grip. Thus, a comfortable one-hand operation is possible.

- Microprocessor controlled

The heart of this machine is a microprocessor which controls and supervises all important functions. This guarantees a continuous and safe running of the generator.

GTI

Global Technology Integrators

battery fog generator

small, quick, efficient

one-hand operation

made in Germany

- 250 hours stand-by time

Because of an intelligent control mechanism the battery supplies energy only when necessary. Thus the operation time is considerably increased – the stand-by time is 250 hours.

With one battery 10 minutes of continuous output or up to 150 x 5 seconds bursts can be produced. When the battery is flat it has to be recharged with the supplied charger.

As an option a battery pack is available (battery complete with housing, PCB and fuses).

The fog generator can easily be disconnected from the battery and can be connected to the new battery quickly.

- Minimal fluid consumption

A special fluid ensures that dense fog is produced with the lowest of fluid consumption.

- Control

The **Power-Tiny** is equipped with a 3pin-XLR-socket for analog (0 - 10V) control. An XLR-remote as well as a wireless radio remote can be connected (both as an option).

With a DMX-converter (DMXit) the machine can be controlled via DMX 512.

With the optional Timer (TIMEit) a fog and wait time can be programmed in.

Global Technology Integrators, LLC

3251 Progress Drive / Suite 135

Orlando, FL 32826

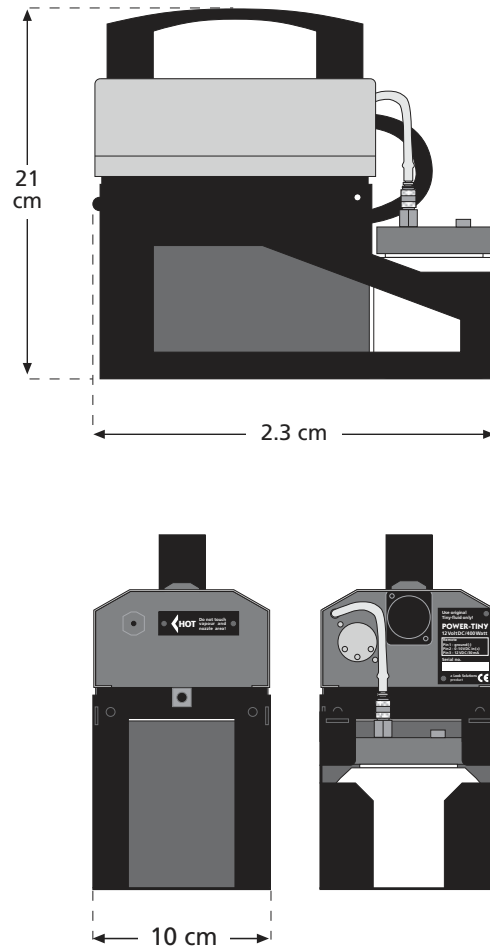
407.401.8919

tony.oxford@gtintegrators.com

Technical data

Procedure	Vaporizing fog generator
Power requirement	400 Watt
Voltage	12 V with battery
Heat-up time	1 Second
Fluid tank capacity	250 ml
Fluid consumption	10 ml/Minute at continuous output
Fog time with battery	10 Min. continuous output or 150 x 5 Sec. bursts
Control	Start button 0-10V analog Radio remote (Option) DMX 512 (Option) Timer (Option)
Temperature control	Microprocessor
Dimensions (L x W x H)	22.3 x 10.0 x 21.0 cm
Weight incl. battery	5.6 kg

Dimensions



Advantages

- For portable uses
- Heat-up time 1 Second
- Small dimensions, light weight
- Output adjustable
- 250 hours Standby
- Continuous output
- Easy operation
- Control via start button or analog (0-10V) and with XLR-remote, radio remote, DMX-converter, Timer (options)
- Minimal fluid consumption
- Easy change of the battery pack
- Made in Germany

Package includes

- Power-Tiny (fog generator + battery pack)
- Charger
- Fluid tank 250 ml
- 250 ml fluid

Accessories

- analog XLR-Remote
- Radio remote
- DMX-Converter (DMXit)
- Timer (TIMEit)

Service

Based on the strong partnership with the German manufacturer OTTEC Technology GmbH, Global Technology Integrators is able to provide a quick and easy service which guarantees the high quality of all products with the motto "innovation by communication".